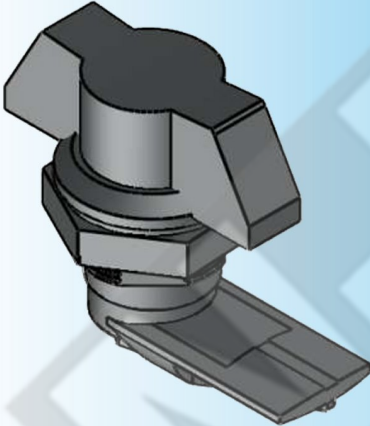


For Product Step File or 3D Model Send a Request Mail To [info@nrack.com](mailto:info@nrack.com)

Photo View

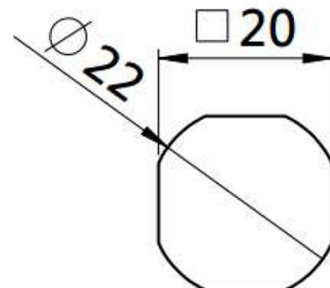
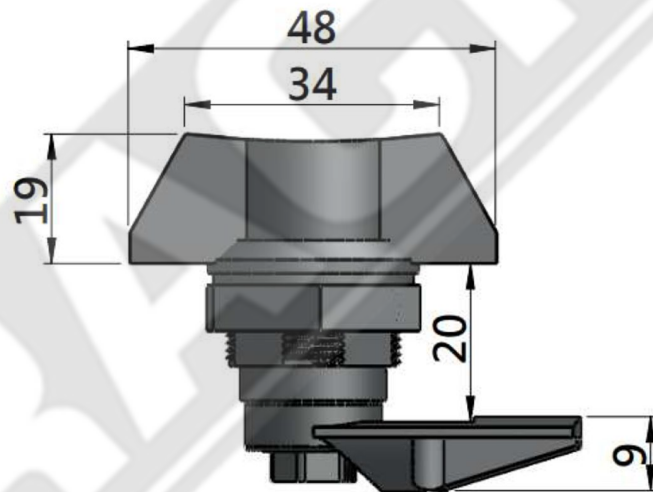
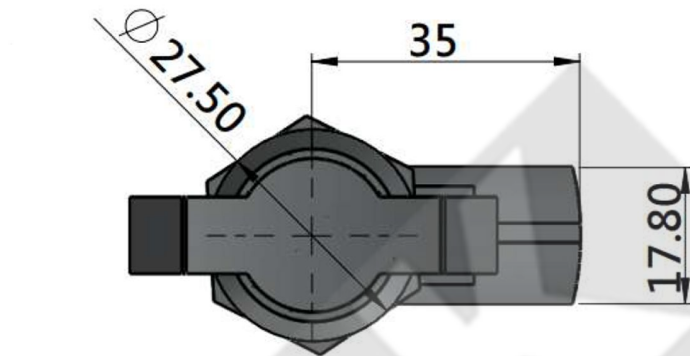


3D Rendered View



**PL - 14AB**

- Material: Polymide PA6
- Finish: Matt Black



**CUT OUT**